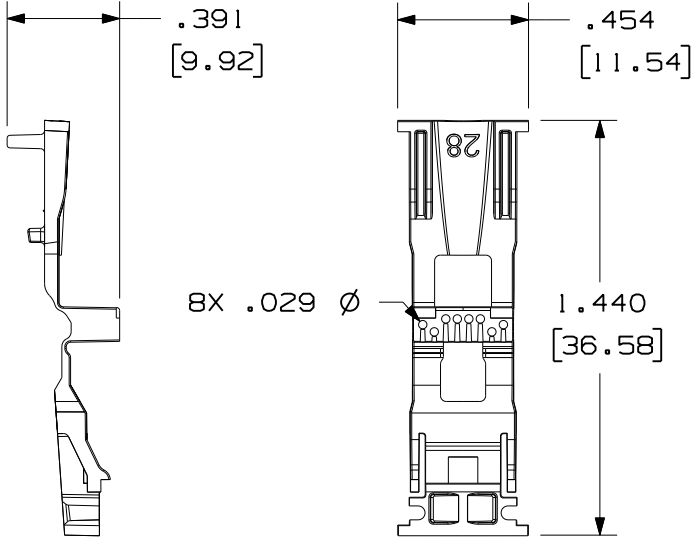
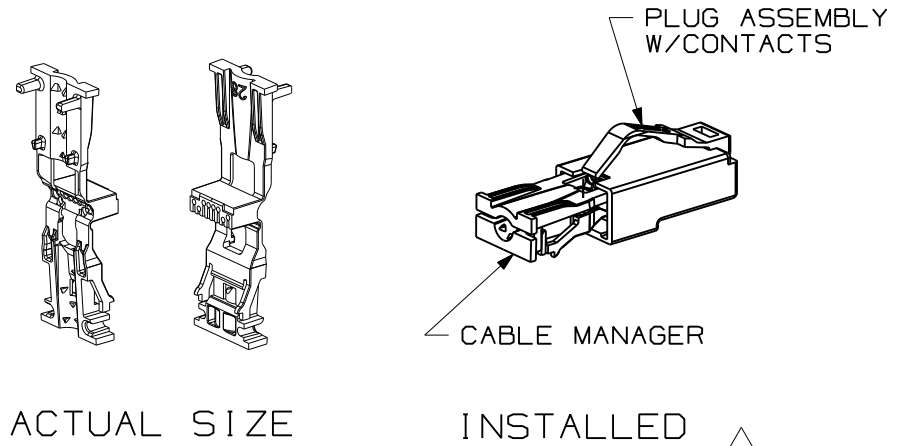
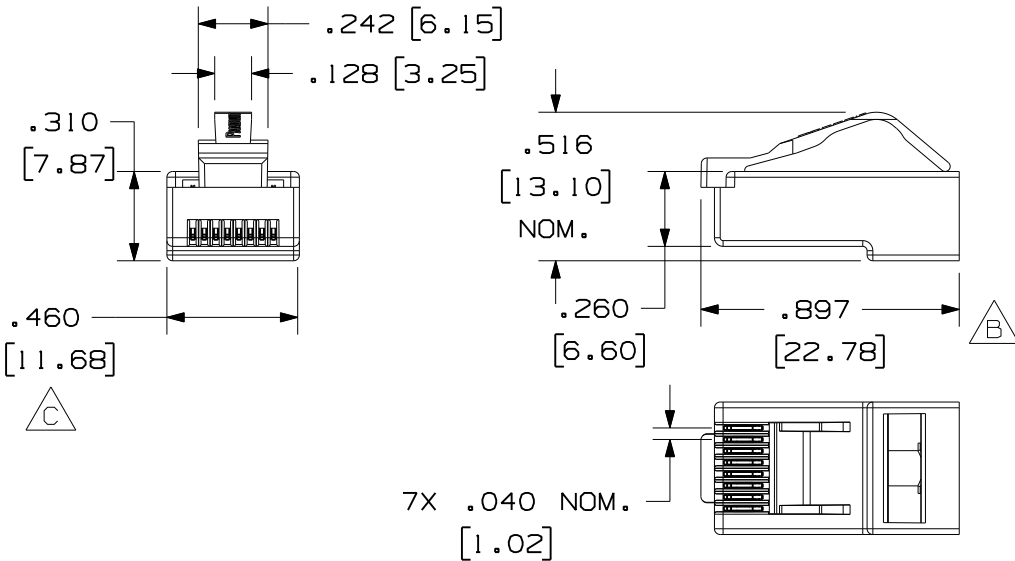


THIS COPY IS PROVIDED ON A RESTRICTED BASIS AND IS NOT TO BE USED IN ANY WAY DETRIMENTAL TO THE INTERESTS OF PANDUIT CORP.



PART NUMBER	WEIGHT (LBS)
MP528-*	.038 LB/10 PCS ( 17.3 g/10 PCS )

- NOTES:
1. MATERIAL: HOUSING, ADAPTER - THERMOPLASTIC UL94V-0 RATED; CONTACT TERMINAL - PHOSPHOR BRONZE ELECTRO-POLISHED AND PLATED WITH .000050" MIN. GOLD IN PLATING AREA, GOLD FLASH OVER REMAINDER, .000100" MIN. NICKEL UNDERPLATE.
  2. PLUG ACCEPTS 4 PAIR CABLE .140"-.160" DIAMETER WITH 28 AWG SOLID OR STRANDED CONDUCTORS WITH A MAXIMUM INSULATION DIAMETER OF .024".
  3. MEETS DIMENSIONAL REQUIREMENTS OF FCC PART 68 AND IEC60603-7. ALL DIMENSIONS MAXIMUM UNLESS OTHERWISE SPECIFIED.
  4. TERMINAL CONTACT HEIGHT DIMENSION: .237±.005".
  5. SEE CURRENT CATALOG FOR ADDITIONAL PART NUMBER SUFFIXES TO INDICATE PACKAGE QUANTITY.



MODEL FILENAME		10M208BA/06	SIZE
DRAWING FILENAME		10M208BA_DC02/06B	A
PAN-PLUG 28AWG CATEGORY 5e MODULAR PLUGS CUSTOMER DRAWING			
 TINLEY PARK, IL 60487		I.I. NUMBER	
		PRODUCT SPEC/ PKG SPEC	
 THIRD ANGLE PROJECTION	ALL DIMENSIONS ARE GIVEN IN INCHES, UNLESS OTHERWISE SPECIFIED. DIMENSIONAL TOLERANCES ARE: (.X) ±.06    (.XXX) ±.010 (.XX) ±.02    ANGLES ± 1°		ASSY METHOD/ TEST METHOD
	DRAWN BY BJN		SCALE NONE
DATE 3-8-11	REVIEW DRAWING NUMBERS		PART NO. SEE TABLE
CHK'D KSM	MAT'L SEE NOTE 1		DRAWING NO. 10M208BA-02

REV	DATE	BY	CHK	DESCRIPTION	ECN	R	CUST	SUP	OTH
2	11-16-11	BJN	KSM	C. CORRECTED WIDTH TO .460 B. ADDED OVERALL LENGTH DIM.	10M208BA-02	KSM	EJH		
1	10-10-11	BJN	WFMI	A. UPDATED MODEL TO REV 06	10M208BA-02	WFMI	EJH		
R	3-8-11	BJN	KSM	RELEASED TO PRODUCTION	10M208BA-02		SASK		